



PAPI

Model MKII - Precision Approach Path Indicator

Patented LED optics achieve lowest power consumption, highest intensity, and sharpest red-white transition definition to provide critically accurate approach slope information to the pilot. Operates on 24VDC for energy efficiency and increased safety. Proven reliability in worldwide use. Permanent frangible or temporary mounting legs. Exceeds ICAO standards.



Generator powered 2-box PAPI in the Canadian Arctic.



Solar powered on remote Caribbean island.



Powered by Solar Power Station (SPS) at Fort Campbell, KY.

SPECIFICATIONS

Optics: High power LEDs with proper heat management ensures stable photometrics for life of product
 FAA L-880/881 & E-3007 (2 & 4 LHA) compliant
 ICAO Annex 14 PAPI (2 & 4 LHA) & APAPI (2 LHA) compliant
 STANAG 3316 PAPI (2 & 4 LHA) & APAPI (2 LHA) compliant
 UFC 3-535-01 (4 LHA) compliant
 Optical glass lens

Power Options: Solar Station: Solar panels, mounting hardware, batteries, enclosures, air transportable container, AC input for backup
 Generator Kit: Gas or diesel generator, AC input for backup
 Battery Kit: Batteries & enclosures, AC input for backup
 AC Only: 100 - 240 VAC 50/60 Hz, 3 & 5 step current input

Control Options: Non-Wireless: AC input of 3 & 5 step current, local control
 Wireless: 2.5 mile (4 km) control range with handheld controller

Construction: Powder coated aluminum chassis with integrated handles, aviation orange standard, yellow and other colors available
 Stainless steel & anodized aluminum hardware
 Integrated digital level

Temperature: -22 to 131 deg F (-30 to +55 °C) - Ambient
 -40 to 176 °F (-40 to 80 °C) - Storage

Wind Loading: 100 mph (45 m/s)

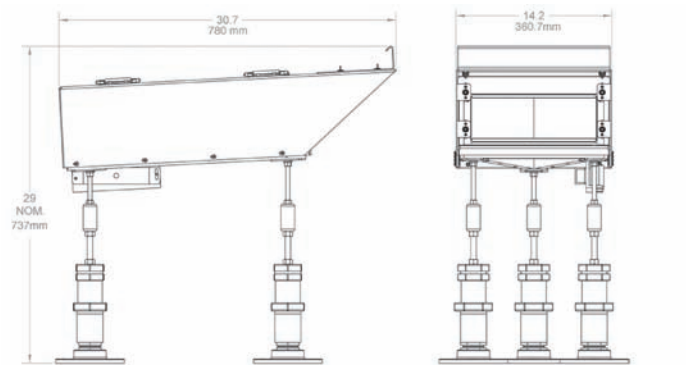
Ingress: NEMA 4 & EN 60529 IP 55

STANDARD CONFIGURATIONS

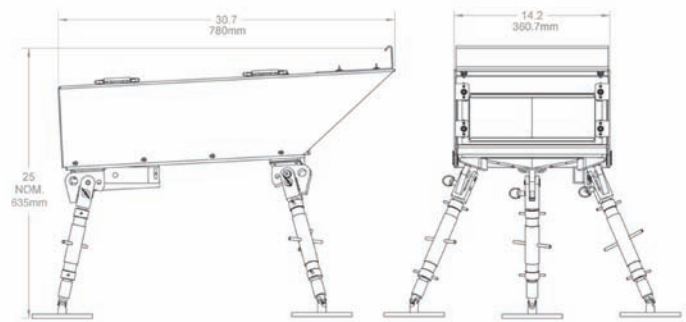
MODEL	SIZE	MOUNTING	OUTPUT	POWER	CONTROL
PAPI	ABBREVIATED 2 LHA	PERMANENT	VISIBLE	SOLAR KIT	NON-WIRELESS
	STANDARD 2 LHA	PORTABLE	VISIBLE / IR	GENERATOR KIT	WIRELESS
	STANDARD 4 LHA			BATTERY KIT	
				AC	

Options: Carrying case, tactical battery pack, tilt switch (for FAA), low temperature arctic kit, custom chassis color

DIMENSIONS



Permanent Mount



Portable Mount



14746 NE 95th Street Redmond, WA 98052 USA

+1-425-861-8080 Email: info@laserguidance.com Web: www.laserguidance.com

US Patent No. 6,573,659. Other patents pending.
 Specifications are subject to change.
 © 2016 Laser Guidance, Inc.

PAPI MKII

Precision Approach Path Indicator

3933 ROUTE 11
COURTLAND, NY 13044



14746 NE 95th Street
Redmond, WA 98052 USA
+1-425-861-8080
Email: info@laserguidance.com
Web: www.laserguidance.com



ICAO ANNEX 14 COMPLIANCE REPORT

Report No.: 101770632CRT-001
Client: Laser Guidance Inc.
Standard: ICAO Annex 14

Product: LED PAPI
Model(s): See Sample Page

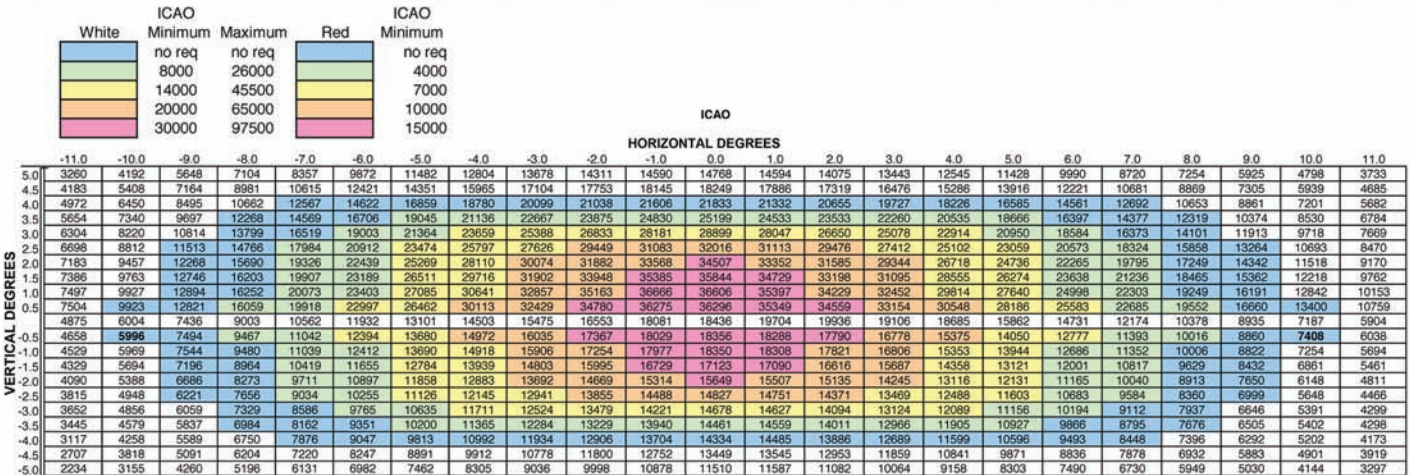
Tested By	Matthew Benninger	Signature or initials	MB	Comp. Date	10/16/14
Reviewed By	JND	Signature or initials	JND		
Test Equipment Used	1,2,3,4				
Sample	CRT1408220953-001	Amb (°C)	23	RH%	55

Photometric Test

Energize the sample with rated input and test for compliance with the intensity, and beam pattern requirements of ICAO Annex 14, Appendix 2, Figure A2-23 for one set of lamps. All measurements must be taken at a distance that allows full focusing of the beam.

Results - LED PAPI

Sample	CRT1408220953-001	Test	Initial	Powered by	DC	Primary Voltage	24VDC
Type	PAPI	Input	24VDC	Transformer Make	NA	Primary Current	2.251A
Lamp	LED	Color	n/a	Transformer Size	NA	Secondary Current	n/a



All Measurements Are In Candelas
Conditional Formatting Will Turn Text Red To Indicate That a Measured Value Is Outside of Required Limits

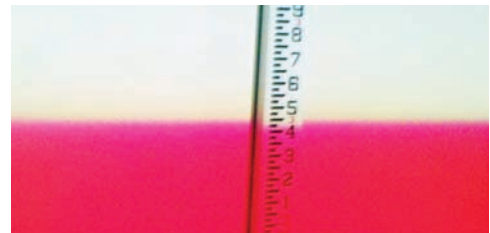
Chromaticity Test

Operate the fixture at rated input for 15 minutes prior to starting the chromaticity measurements. Test the fixture with the lamp, filter and optical system for color of light emitted at 100% intensity at the center of the main beam and at the extremes of the horizontal and vertical beam distribution. Chromaticity outside of distribution boundaries may be verified visually. The PAPI light colors must be aviation white and red and meet the requirements of ICAO Annex 14 Appendix 1 Section 2.1.1.

Results - ICAO Annex 14 Appendix 1 Section 2.1.1

Source / Lamp	Input	Position	Color	x	y	z	P/F
LED	24Vdc	(0,2)	White	0.364	0.368	0.268	Pass
		(0,-2)	Red	0.700	0.299	0.001	Pass

Aviation Red:		Aviation White (LED):	
Purple Boundary	y = 0.980 - x	Yellow Boundary	x = 0.440
Yellow Boundary	y = 0.335	Blue Boundary	x = 0.320
Per ICAO Annex 14 Sec. 5.3.5.30		Green Boundary	y = 0.150 + 0.643x
Aviation Red:		Purple Boundary	y = 0.050 + 0.757x
y is not greater than 0.320			



Complies:

Tested By	Jeff Davis	Signature or initials	JJD	Comp. Date	10/27/14
Reviewed By	JND	Signature or initials	JND		
Test Equipment Used	5,6,7,8				
Sample	CRT140822093-001	Amb (°C)	24	RH%	26